

Simple solution for lateral tensile reinforcements:
WB fastening system for economical and secure
reinforcements for glulam timber structures



Convincing advantages:

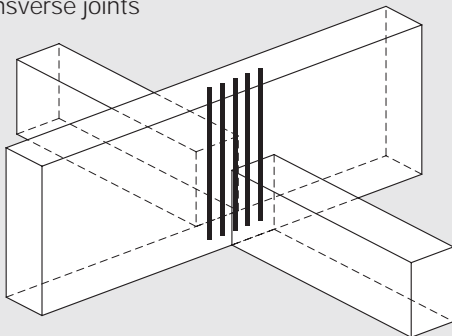
- easy and reliable calculation
- lateral tensile reinforcement without gluing
- individually cut to length
- high tensile strength of 800 N/mm^2
- time saving of up to 50%



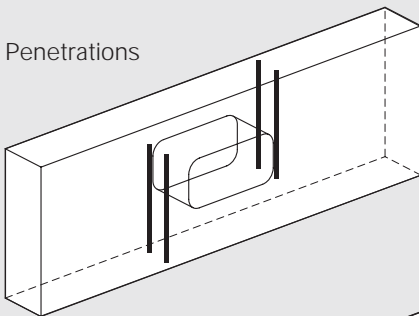
- simple principles of calculation facilitate reliable design
- forces are transmitted solely through the thread indentations – time-consuming application of adhesives is eliminated!
- the high tensile strength of 800 N/mm^2 means that up to 50% fewer threaded bars are needed
- this results in significant time savings and makes the WB System extremely economical compared to conventional reinforcement methods
- the fully countersunk, invisible threaded bars mean that subsequent roof assembly is not obstructed

Diverse applications can be implemented with the WB System, such as:

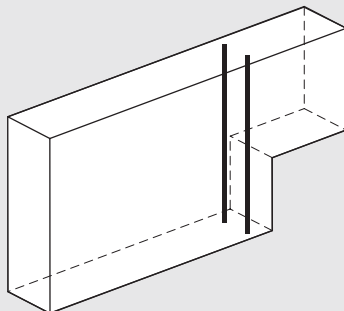
Transverse joints



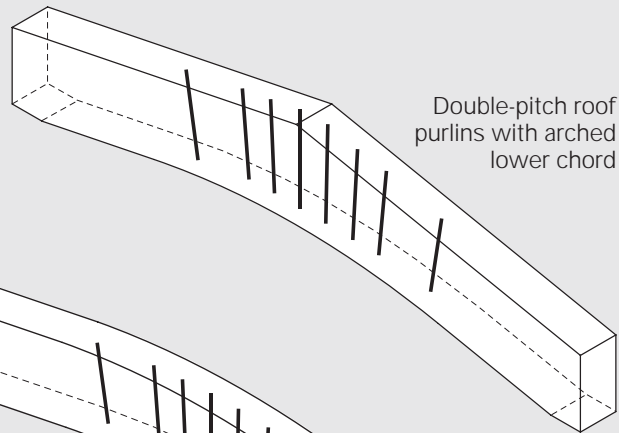
Penetrations



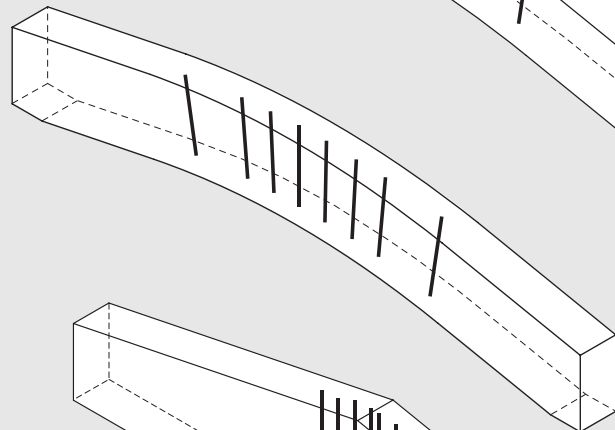
Notching



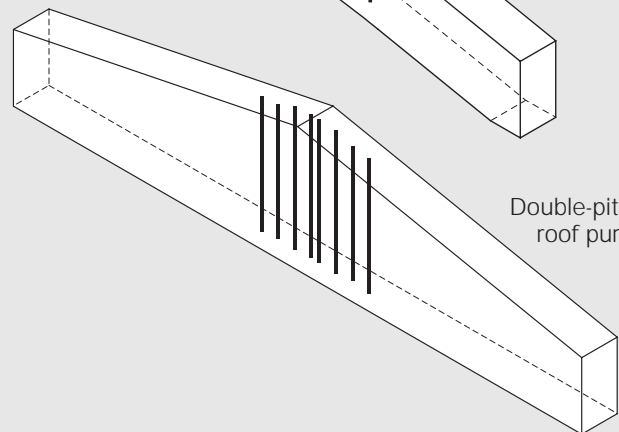
Double-pitch roof purlins with arched lower chord



Arched purlin



Double-pitch roof purlin



Make large lateral tensile reinforcements faster and more economically with the new WB fastening system!

After easy calculation, a borehole corresponding to the core diameter of the threaded bar is drilled in the purlin, and the WB threaded bars are then inserted:



2. Holes up to 3 metres deep can be drilled using the bit extensions of the WB System.



1. Pilot drilling with column type drill.



3. Cut threaded bar to exactly the required length using metal saw or right-angle grinder.



4. Install the threaded bar using a drill with high torque.



5. Countersink WB directly with insertion sleeve.



6. Release insertion sleeve with ratchet.



7. Cover hole with end-grained wooden plug.

A strong partner in mechanical fastening with an international presence.

Fastening technology you can rely on

As a manufacturer of fastening systems SFS intec has set standards for many years based on its long experience of the market and intensive research and development work. Numerous innovations which have proved their qualities millions of times all over the world are tangible evidence of this fact. Manufacturing know-how accumulated over many years in production plants in various European countries and the USA makes SFS intec a highly qualified partner in the field of mechanical fastening technology.



Principles of calculation

Detailed planning documentation catering for a very wide range of applications ensures easy, reliable calculation.

Assured quality

The high quality standards by SFS intec's products and services are guaranteed by a dynamic quality assurance system and extensive testing in the company's own test laboratories.



For special applications our structural timberwork consultants will be pleased to assist you in selecting the most efficient and cost-effective fastening method.

If you have any questions about fastening technology, just call us.



System components	Headless threaded rod Insertion sleeve for countersinking Adapter for drivers Drilling system
Tensile strength	800 N/mm ²
Diameter	16 mm 20 mm
Thread geometry	DIN 7998
Length	3000 mm individually cut to length easy storage
Surface finish	zinc electroplated blue passivated, chromium(VI)-free